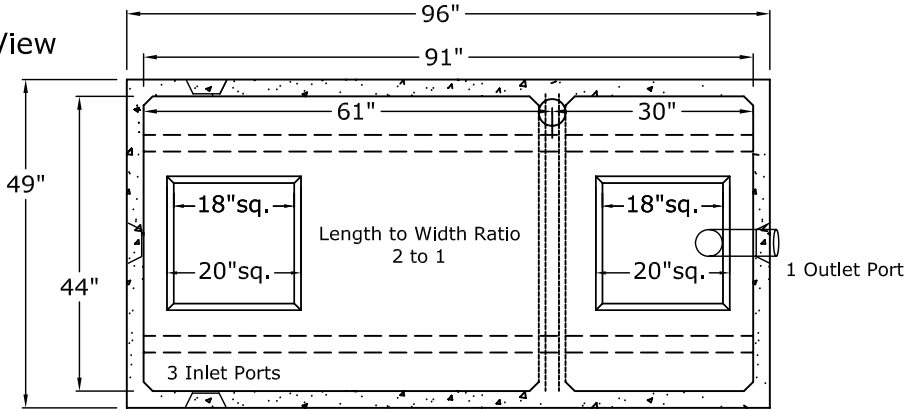


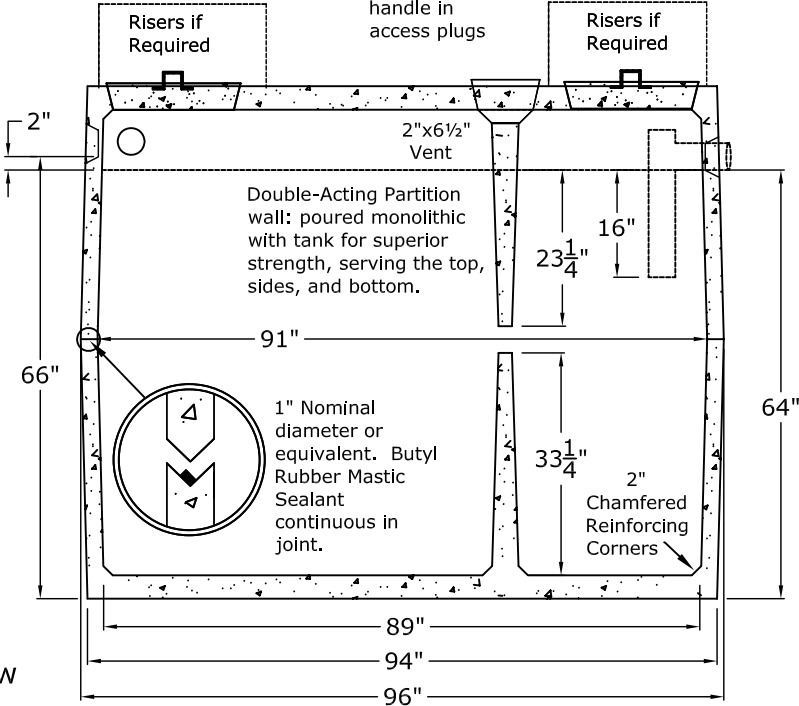
# Septic Tank 1,000 Gallon

Top View

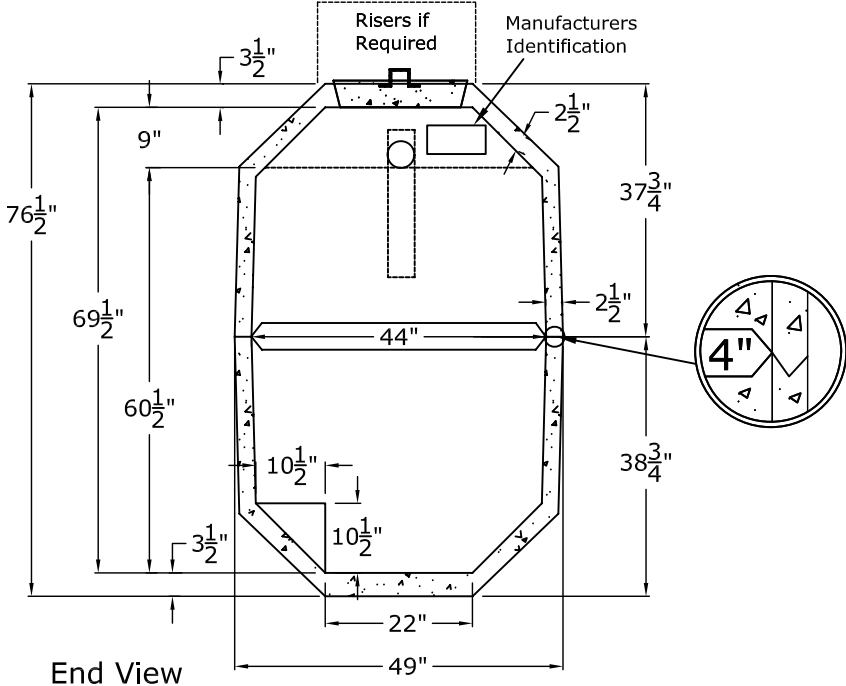


1" Min. in Unused Knockouts. All Blockouts 4" Min. to 6" Max. Pipe

#3 Rebar or equiv. handle in access plugs



Side View



End View

**Manufactured by:**  
**Coastal Concrete & Supplies**  
 986 Whiteville Road, N.W.  
 Shalotte, NC 28470  
 910-846-3290 Amiel Zimmer

**Specifications:**  
**Capacity: 1,000 Gallons**  
**Gallons Per Inch: 16.53 Avg.**  
**Concrete: 1.8 yds. = 7,200 lbs.**  
 Max. 3 Foot of Cover

**Reinforcing:**  
 6" x 6" x 10-gauge wire mesh centered in all walls, ends, baffle, top, bottom and access plugs.  
 Equivalent substitutes allowed for all devices, practices, and reinforcing approved under the laws, rules, and regulations for tanks.

Date: **6-19-2008** Scale: **1" = 30"**  
 Name: **C:\ACAD\dwg\Septic&Pump\76.5x49x96\76.5x49x96STB1000SQG1T-NC-CoastalConcrete**

This drawing is the property of Bethlehem Manufacturing Company, Inc. and may not be reproduced, published, or used in any way without written permission from Bethlehem Manufacturing Company, Inc.