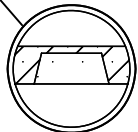
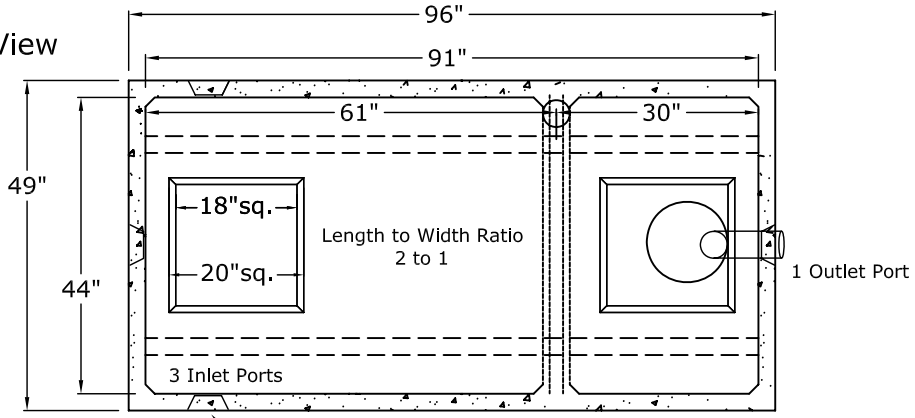


Grease Tank 1,000 Gallon

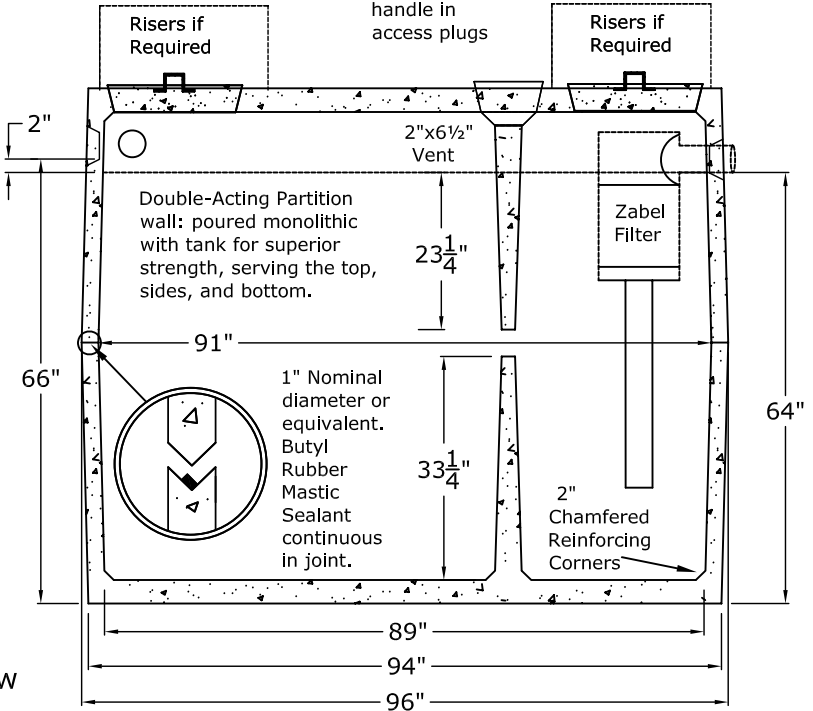
Top View



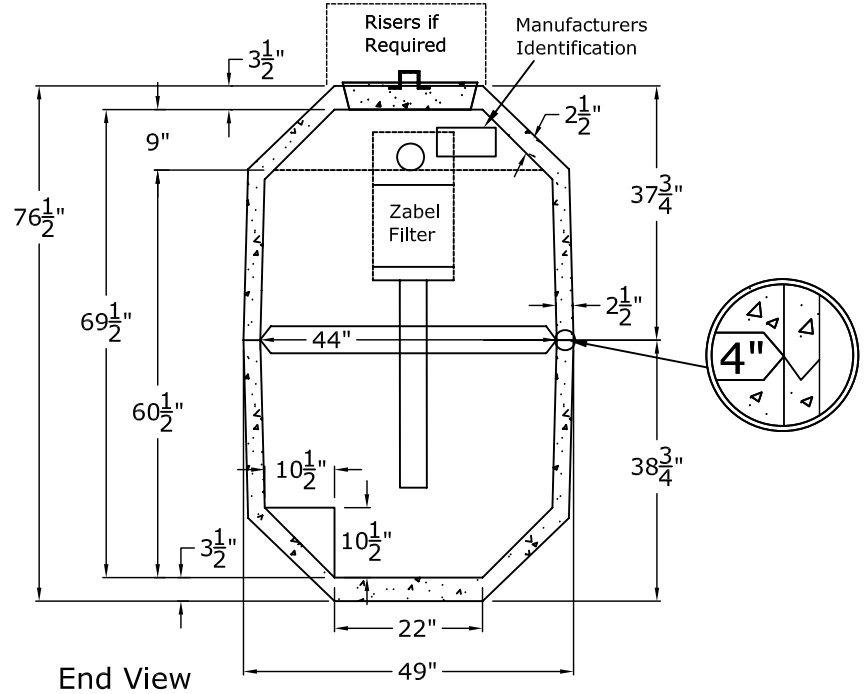
1" Min. in Unused Knockouts. All Blockouts 4" Min. to 6" Max. Pipe

#3 Rebar or equiv. handle in access plugs

Side View



End View



Manufactured by:
The Concrete Works/Sweeney Mining & Manufacturing Co. LLC
 One Concrete Way
 Souder, MO 65773
 417-265-3504 Sean
 concreetworks@wildblue.net
 www.theconcreetworks.com

Specifications:
Capacity: 1,000 Gallons
Gallons Per Inch: 16.53 Avg.
Concrete: 1.8 yds. = 7,200 lbs.
 Max. 3 Foot of Cover

Reinforcing:
 6" x 6" x 10-gauge wire mesh centered in all walls, ends, baffle, top, bottom and access plugs.
 Equivalent substitutes allowed for all devices, practices, and reinforcing approved under the laws, rules, and regulations for tanks.

Date: **6-19-2008** Scale: **1" = 30"**
 Name: **C:\ACADdwg\Septic&Pump\76.5x49x96\76.5x49x96STB1000SQ1T-NC-CoastalConcrete**
 This drawing is the property of Bethlehem Manufacturing Company, Inc. and may not be reproduced, published, or used in any way without written permission from Bethlehem Manufacturing Company, Inc.